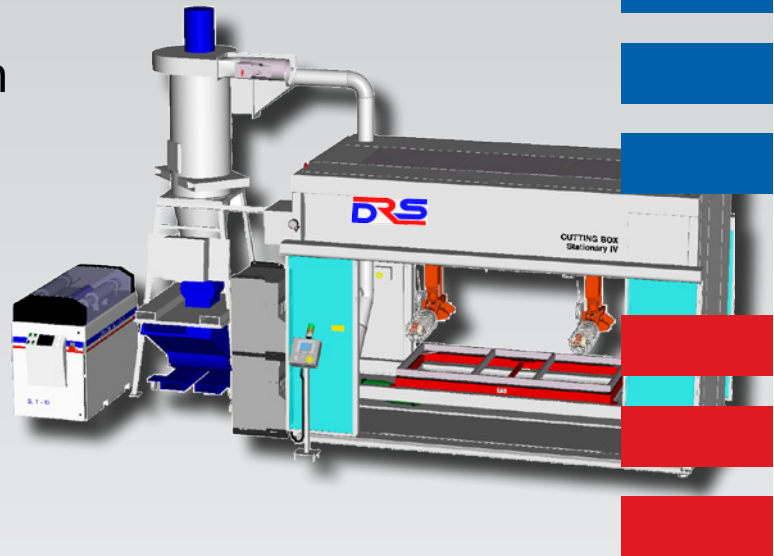


Product Information

Cutting Box

STATIONARY IV

Application Process:
- Waterjet Cutting



Function

The Cutting Box Stationary IV is a Robotized turnkey system for cutting threedimensional automotive parts with high pressure waterjets. A sliding door gives access to the stationary table located inside the cell. An optional door on the rear side is available for quicker loading and better production stream. The Stationary IV is also often used for cutting components in small series and for the cutting of prototypes and pilot runs. The part to be cut is positioned on a special fixture on the cutting table and kept in place by vacuum suction.

Installation and Education

The Cutting Box is installed and fully operational within 5 days. Machine operation and Start-up training included.

Robot Waterjet Cutting

A waterjet beam is formed by forcing a fine jet of water through a nozzle at very high pressure. The jet, guided by the robot, cuts through any soft material including carpet, foam, fabrics, plastics, fiber glass and reinforced composites.

Fields of application

Automotive interior trim parts

- Carpets
- Headliners
- Trunk-liners
- Insulation mats
- Instrument panels

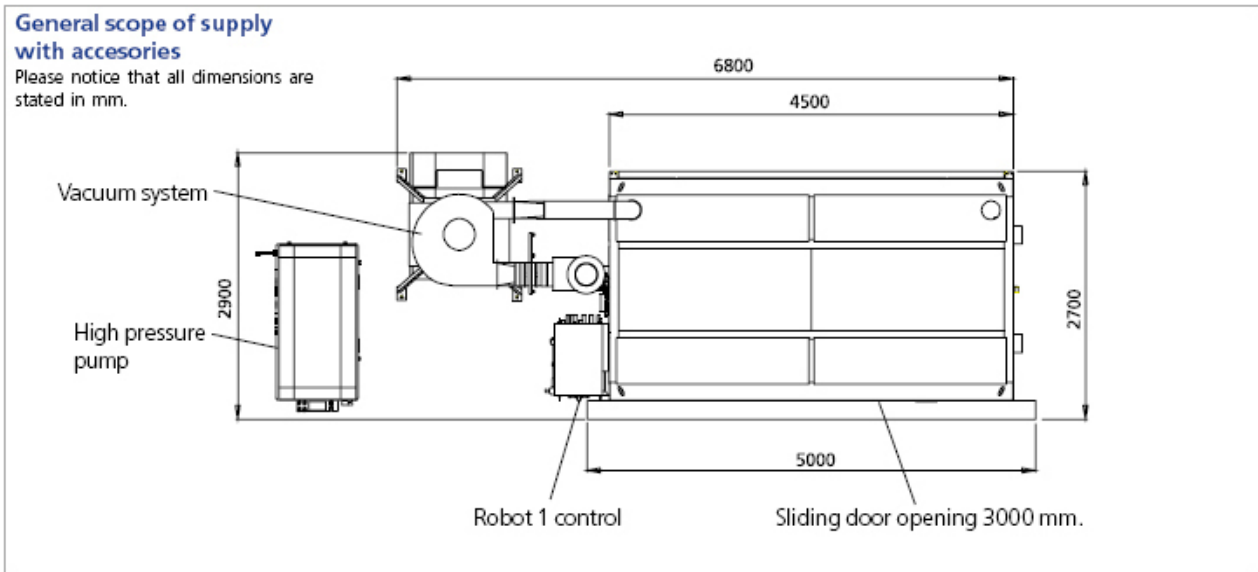
Standard features and specifications

- Robots with degree of protection.
- Robot Waterjet Ware.
- Operator Touchpanel with easy to use menus.
- Single operator required.
- Table loading capacity 300 kg.
- Cutting Box in Mono-block design.
- Sound proof enclosure gives < 80 dB(A).
- Slidingdoors for operator safety protection.
- Compatible programs between Cutting Boxes of same type.

>>>



General scope of supply with accessories - Please notice that all dimensions are stated in mm.



Optional features for this machine types

Features

- Robot type IRB 1600 or IRB 2400
- Fixed Robot configuration: 1 & 2
- Robot Track motion, 7th axis
- Vacuum system
- Calibration of the Cutting Box
- Platform above the Box saving floor space
- Pallet lifter
- Waterjet position control
- High Pressure Intensifier
- Extra sliding door on rear side

Softwares

- Skip function
- Perforation function
- Geometrix (waterjet geometry)
- Pallet coding

Additional safety features

- Automatic "block and bleed" valve

Service

- Spare parts
- Service contract
- Off-line programming service
- Fixture integration
- Maintenance education
- Robot programming education



www.drsrobotics.com



info.eu@drsrobotics.com

Dynamic Robotic Solutions Europe AB
Box 529
S-372 25 Ronneby, SWEDEN
Phone: +46 (0)457 345 00
Fax: +46 (0)457 345 99

Dynamic Robotic Solutions, GmbH
Schanzenfeldstraße 14b
D-35578 Wetzlar, Germany
Phone: +49 (0) 64 41/4 45 96-0
Fax: +49 (0) 64 41/4 45 96-66

DRS France, S.A.S
BP 30 - ZI Les Casernes
55400 ETAIN
Phone: +33 (0) 329.859.276
Fax: +33 (0) 329.879.824