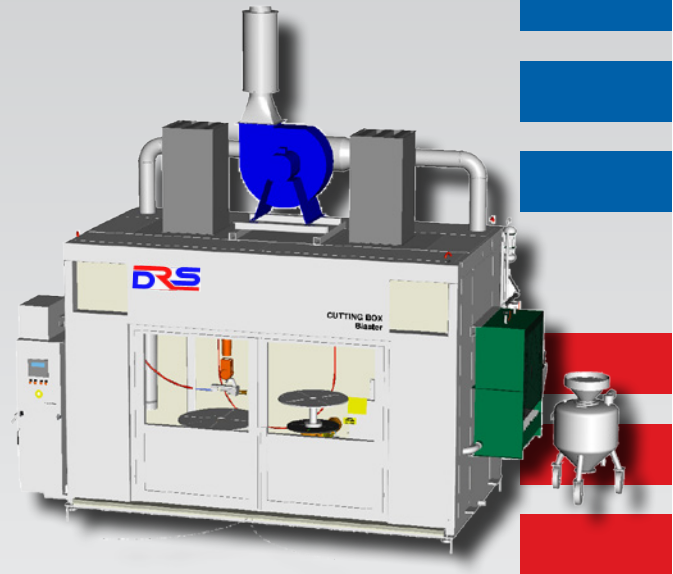


Product Information

Cutting Box BLASTER

Application Process:
- Waterjet Cleaning



The Cutting Box Blaster

High quality robotised turnkey system for three-dimensional waterjet cleaning and surface treatment. The system is designed to clean surfaces from coating, grease and other substances. The cell can be equipped with a fixed table or rotating dial-tables for maximum flexibility. Garage doors give access to the cell. The system can be equipped with 1 or 2 inverted robots, either fixed or on track motion. As an option abrasive blasting using a mixture of water and sand can be added as a function within the same cell as for cleaning.

3D-Waterjet Cleaning

A waterjet is formed by forcing a fine jet of water through multiple sets of nozzles at very high pressure. The nozzles are mounted at a body that rotates by a pneumatically driven motor. The complete rotojet is a standard KMT Waterjet Systems product. The rotojet unit is mounted at the end of the robot and instead of having steel high-pressure tubing, water to the rotojet is guided through high-pressure flexible hosing to utilize maximum flexibility of the robot.

Fields of application

- Aerospace
- Automotive
- General industry

Fast return on investments

Dynamic Robotic Solutions supplies turnkey systems based on stand-alone platforms with special options for easy customisation, including training, installation and startup assistance.

The system is:

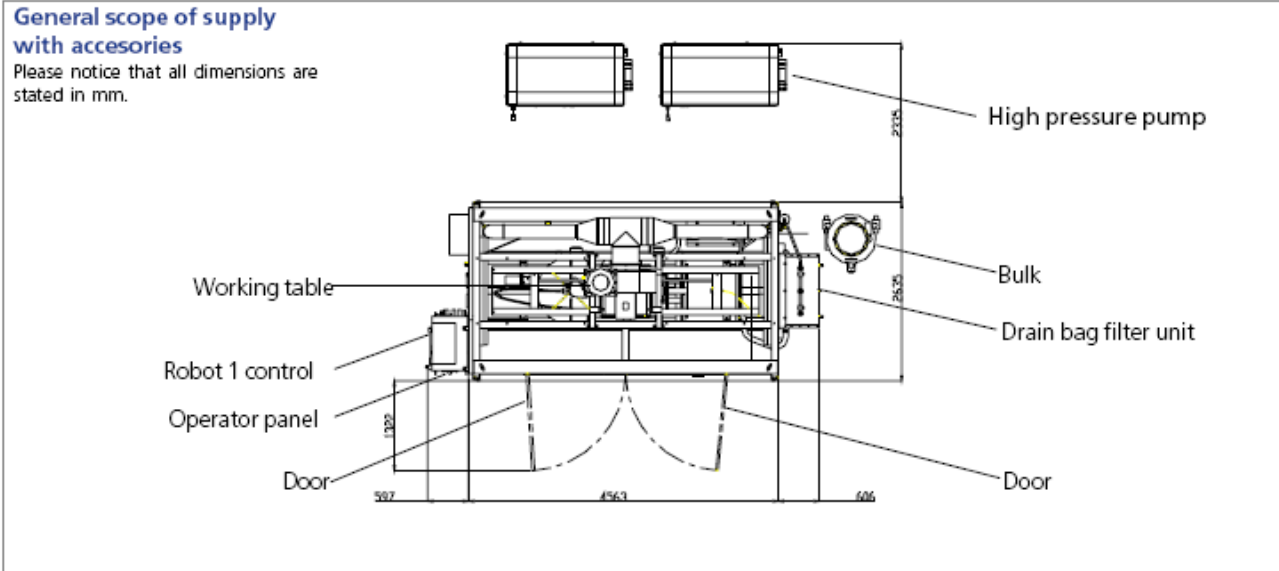
- Efficient, fast and accurate
- Productive and flexible
- Safe, ergonomic and clean
- Economical and easy to use
- Smooth start-up
- Installed and fully operational within five days.

General features and specifications

- Robot ABB IRB 2400F, degree of protection
- KMT Waterjet® Streamline™ high pressure intensifier
- Operator panel with easy to use menus
- Single operator required
- Very compact machine foot-print
- Sound proof enclosure



General scope of supply with accessories - Please notice that all dimensions are stated in mm.



Optional features for this machine type

Features

- Abrasive blasting function
- Ventilation system
- Off-line programming service
- Fixture integration by DRS
- Service contract

Additional safety features

- Automatic "block and bleed" valve



www.drsrobotics.com



info.eu@drsrobotics.com

Dynamic Robotic Solutions Europe AB
Box 529
S-372 25 Ronneby, SWEDEN
Phone: +46 (0)457 345 00
Fax: +46 (0)457 345 99

Dynamic Robotic Solutions, GmbH
Schanzenfeldstraße 14b
D-35578 Wetzlar, Germany
Phone: +49 (0) 64 41/4 45 96-0
Fax: +49 (0) 64 41/4 45 96-66

DRS France, S.A.S
BP 30 - ZI Les Casernes
55400 ETAIN
Phone: +33 (0) 329.859.276
Fax: +33 (0) 329.879.824