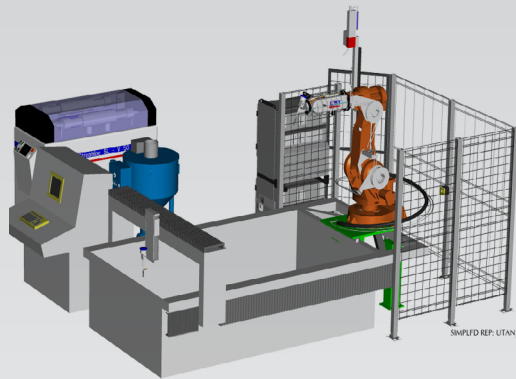


# PRODUCT INFORMATION

## ABRASIVE ROBOT SYSTEM



Application Process:  
Abrasive Waterjet Cutting

### Function

The Abrasive Waterjet Cutting Robot is a high quality robotized system with , for cutting three-dimensional automotive parts with high pressure waterjets, ideally suited to complement existing 2D Waterjet cutting machine.

### 3-D Waterjet Cutting

Abrasive waterjet is formed by forcing a fine jet of water through a nozzle at a very high pressure. The jet, guided by the ABB robot, cuts through any hard material including carpet, foam, fabrics, fiber glass and reinforced composites.

### Fast return on investments

Dynamic Robotic Solutions supplies add-on system based on stand-alone Robot platforms with special options for easy customisation, including training, installation and start-up assistance.

### The system is:

- Efficient, fast and accurate
- Productive and flexible
- Safe, ergonomic and clean
- Economical and easy to use
- Smooth to start-up
- Installed and fully operational within 5 days

### General features and specifications

- One robot ABB IRB 2400F, degree of protection: IP 67.
- KMT Waterjet Streamline high pressure intensifier.
- KMT AMS III Abrasive Management System
- Operator panel Robot FlexPendent with easy to use menus.
- Compact machine foot-print.
- Compatible programs between Cutting Boxes of same type.



[www.drsrobotics.com](http://www.drsrobotics.com)

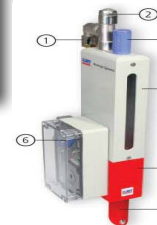
### AMS III, Abrasive Management System.

#### Contain:

- ABRALINE III, abrasive storage and supply system.
- FEEDLINE IV, abrasive metering system.
- ACTIVE AUTOLINE II, abrasive cutting head system.



ABRALINE III

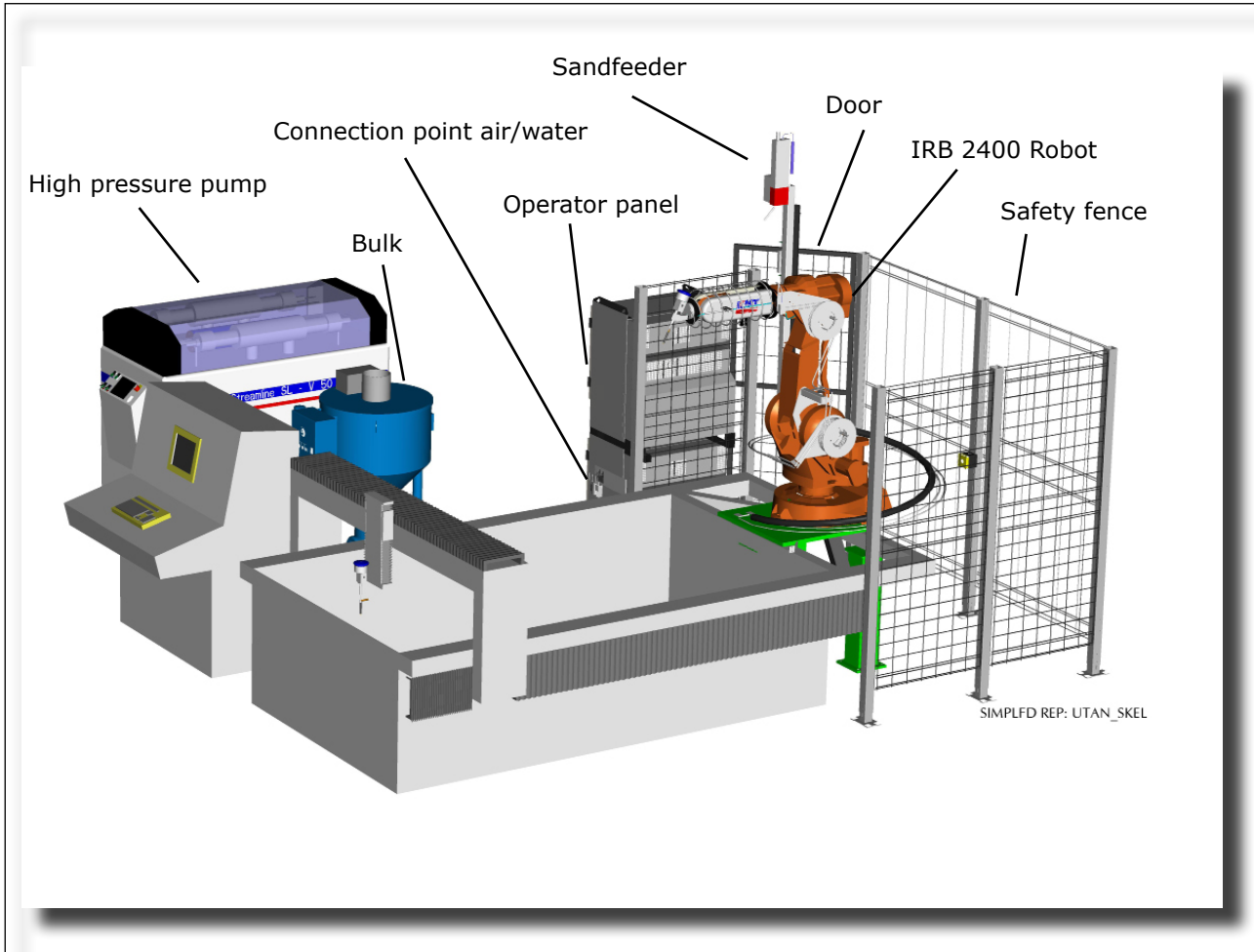


FEEDLINE IV



ACTIVE AUTOLINE II

## General scope of supply with accessories



## Optional features for this machine type

### Features

- Second robot
- Skip function Robot program
- Pallet
- Pallet coding
- Ventilation system
- Rolling door for the loading area
- Off-line programming service
- Fixture integration by DRS
- Service contract
- Geometrix, waterjet option

### Production friendly

- Soundproof encloser
- Perforation function
- Telpher crane for changing pallets

### Additional safety features

- Different configurations for the loading zone
- Laser scanners detecting the loading area

### Service

- Spare parts
- Service contract
- Off-line programming service
- Maintenance education

