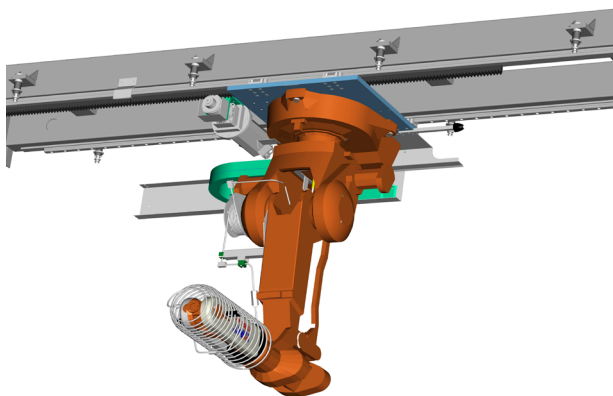


DYNAMIC ROBOTIC SOLUTIONS

After Market Service

ROBOT ON TRACK MOTION

Enables a larger part to be cut than with a fixed robot



Description:

Your production requirements may change and perhaps you will need to cut larger parts one day. If you operate a Cutting Box with a single robot, then a viable solution for you is to upgrade the machine with a track motion in order to increase the work envelope of the robot.

Please contact us for more information. Our technical team does several of these retrofits every year.

Customer benefits:

- Lower spare parts consumption.
- Increases the robot working area.
- Enables a larger part to be cut than with a fixed robot.
- Reduction of the part cycle time (better position).

Track motion used as 7th axis

Many of our customers order their Cutting Box directly with a track motion, this option allows the robot(s) to obtain the optimum position over the part to cut and achieve shorter cycle times.

This device is available as retrofit kit later on.

(*) This example (cutting the same carpet) is based on our experience with upgrades performed at customer showing the production figures with a typical part before and after the modification and the benefits in term of reduced cycle time and additional output. These figures depend on many factors and cannot be consider as a universal reference, we will make a specific estimation for your machine.

Case study (*)

Production Data	Cutting Box with fixed robot	Cutting Box with track motion
Cutting time+home	90 s	80 s
Indexing time	7 s	7 s

Total cycle time/part	97 s	87 s
= time saving / part		10 s (10,3%)
Capacity / hour	37,1 parts	41,3 parts
Additional output / hour		+4,2 parts



www.drsrobotics.com



service.eu@drsrobotics.com

Dynamic Robotic Solutions Europe AB
Box 529
S-372 25 Ronneby, SWEDEN
Phone: +46 (0)457 345 00
Fax: +46 (0)457 345 98

Dynamic Robotic Solutions, GmbH
Schanzenfeldstraße 14b
D-35578 Wetzlar, Germany
Phone: +49 (0) 64 41/4 45 96-0
Fax: +49 (0) 64 41/4 45 96-66

DRS France, S.A.S
BP 30 - ZI Les Casernes
55400 ETAIN
Phone: +33 (0) 329.859.276
Fax: +33 (0) 329.879.824