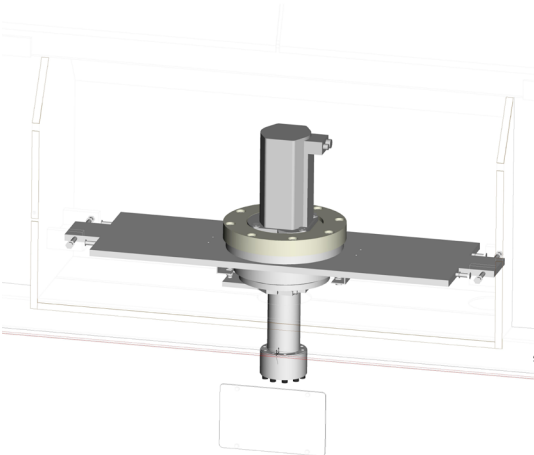


DYNAMIC ROBOTIC SOLUTIONS

After Market Service

EXCHANGE TURNTABLE MOTOR

Technical information



Article number 73502 Indexing motor for Turntable on Cutting Boxes Original II, III and IV style.

This motor is obsolete and can not be purchased as new motor.

Dynamic Robotic Solutions offer their customers an exchange motor program for replacing damaged motors.

Exchange Motor Program Procedure:

1. Customer place an Purchase Order for a Motor with following Article number: 73502-1 Exchange Servo Motor.
2. Dynamic Robotic Solution send an Exchange Servo Motor 73502-1 to customer together with an identification tag to place on the old motor which shall be returned.
3. Customer return the old motor with identification tag on to Dynamic Robotic Solution with in 21 days from receiving the replacement motor.
4. Dynamic Robotic Solution check the returned motor and if OK, Dynamic Robotic Solution will issue a credit note for the returned motor. Customer can then use the credit note for spare part purchase at Dynamic Robotic Solution.

For further questions please do not hesitate to contact us.



www.drsrobotics.com



service.eu@drsrobotics.com

Dynamic Robotic Solutions Europe AB
Box 529
S-372 25 Ronneby, SWEDEN
Phone: +46 (0)457 345 00
Fax: +46 (0)457 345 98

Dynamic Robotic Solutions, GmbH
Schanzenfeldstraße 14b
D-35578 Wetzlar, Germany
Phone: +49 (0) 64 41/4 45 96-0
Fax: +49 (0) 64 41/4 45 96-66

DRS France, S.A.S
BP 30 - ZI Les Casernes
55400 ETAIN
Phone: +33 (0) 329.859.276
Fax: +33 (0) 329.879.824