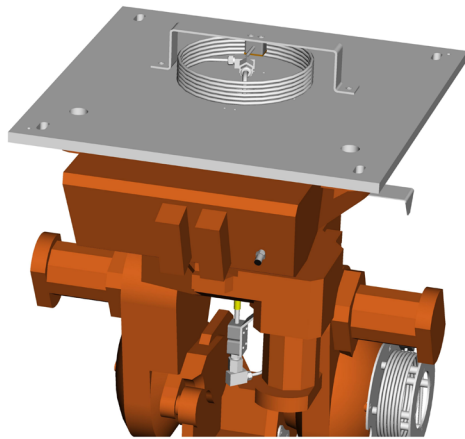


# After Market Service

## COIL INSTEAD OF SWIVEL JOINT

### Application Processes:

- Waterjet Cutting
- Abrasive Waterjet Cutting



### Description:

The coil will be mounted on the fixing plate for the robot.

Instead of the swivel joint a Hp-elbow will be mounted in the same place.

A new protection tube (with larger diameter through axis 1) has to be mounted because of the HP tube have the size of 3/8 inch which will be fixed by 2 clamps above the HP-elbow. The coil itself is made with 1/4 inch tube.

The coil-kit has to be installed from the roof of the cutting box. Changing of coil can be done from inside. This option is only available on fixed IRB 2400 robots with version: M98/M2000 and M2004.

### Technical specifications:

Size: Coil diam. 250 mm

HP-tube through axis one: 600 mm

### External requirements:

No external requirements are needed.

Instruction of how to change the coil will be implemented in the maintenance manual

### Customer benefits:

No problem with water leakage in sensitive areas.

Less spareparts gives lower maintenance cost.



[www.drsrobotics.com](http://www.drsrobotics.com)



[service.eu@drsrobotics.com](mailto:service.eu@drsrobotics.com)

Dynamic Robotic Solutions Europe AB  
Box 529  
S-372 25 Ronneby, SWEDEN  
Phone: +46 (0)457 345 00  
Fax: +46 (0)457 345 98  
2014\_rev.01\_eng

Dynamic Robotic Solutions, GmbH  
Schanzenfeldstraße 14b  
D-35578 Wetzlar, Germany  
Phone: +49 (0) 64 41/4 45 96-0  
Fax: +49 (0) 64 41/4 45 96-66

DRS France, S.A.S  
BP 30 - ZI Les Casernes  
55400 ETAIN  
Phone: +33 (0) 329.859.276  
Fax: +33 (0) 329.879.824