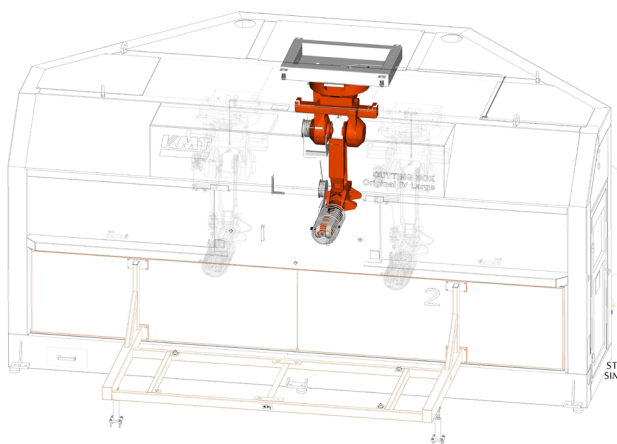


DYNAMIC ROBOTIC SOLUTIONS

After Market Service

ADDITIONAL ROBOT

Limited investments, fast and predictable pay-back



Description:

In case you need to increase your production output and operate a single robot system at full capacity, one of the best solutions is upgrading your Cutting Box with a second robot.

Please contact us for more information. Our technical team does several of these retrofits every year.

Customer benefits:

- Reduction of the part cycle time.
- More production output (parts per hour).
- Lower cost per part cut with the machine.
- Limited investment, fast and predictable pay-back.

NEW: Three Robots Cutting Box

Our Original IV Large is now available with one, two or three robots.

This new Cutting Box when delivered with two robots can be upgraded later on with a third robot in order to reduce the part cycle time and increase your profitability.

(* This example (cutting a car carpet) is based on our experience with upgrades performed at customers showing the production figures with a typical part before and after the modification and the benefits in term of reduced cycle time and additional output. These figures depend on many factors and cannot be considered as a universal reference, we will make a specific estimation for your machine.

Case study (*)

Production Data	Cutting Box with 2 robot	Cutting Box with 3 robots
Cutting time+home	100 s	70 s
Indexing time	7 s	7 s
<hr/>		
Total cycle time/part	107 s	77 s
= time saving / part	30 s (28%)	
Capacity / hour	33,6 parts	43 parts
Additional output / hour		+ 9,4 parts



www.drsrobotics.com



service.eu@drsrobotics.com

Dynamic Robotic Solutions Europe AB
Box 529
S-372 25 Ronneby, SWEDEN
Phone: +46 (0)457 345 00
Fax: +46 (0)457 345 99

Dynamic Robotic Solutions, GmbH
Schanzenfeldstraße 14b
D-35578 Wetzlar, Germany
Phone: +49 (0) 64 41/4 45 96-0
Fax: +49 (0) 64 41/4 45 96-66

DRS France, S.A.S
BP 30 - ZI Les Casernes
55400 ETAIN
Phone: +33 (0) 329.859.276
Fax: +33 (0) 329.879.824